

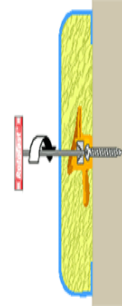
Installation: 3 Mounting Options



CLIPS



Z-CLIPS

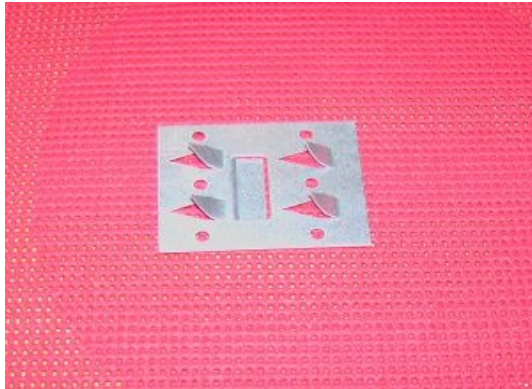


ROTOFAST

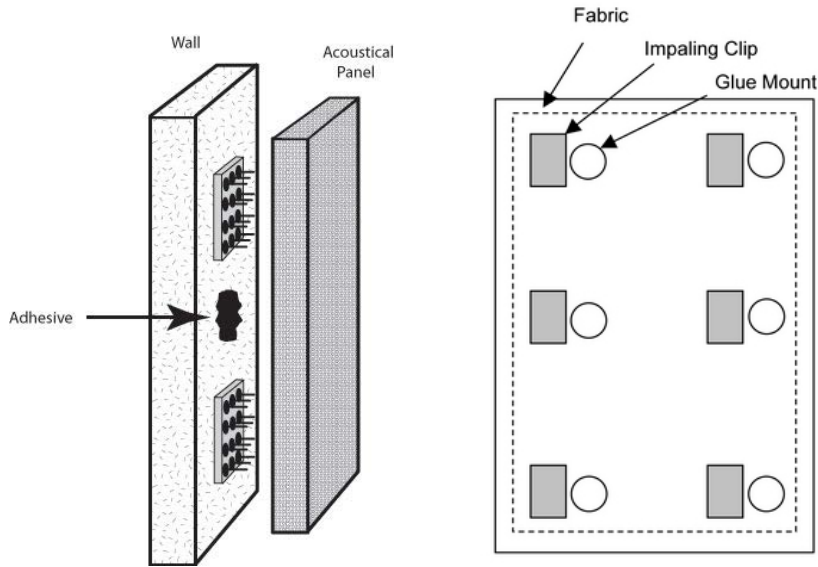
Impaling Clips Option:

If the wall panels are not required to be removable, the easiest method of installation is impaling clips. Impaling clips are shipped from the factory with the panels.

1. Should be screwed into the wall where the panels are to be installed. Care should be taken to screw the impaling clips into a stud when possible and to space the clips so that they will be evenly spaced on the back of the panel.
2. The back of the wall panel should be covered with a construction adhesive (Liquid Nail PL 200, Chemrex 200, etc) and placed onto the wall in the desired location. Impaling Clips are not to be used on ceiling.



Standard Number of Clips Per Panel	
Panel Length	Number of Clips
up to 24"	4
24" x 48"	4
48" x 72"	6 - 8
48" x 96"	6 - 8
48" x 120"	8



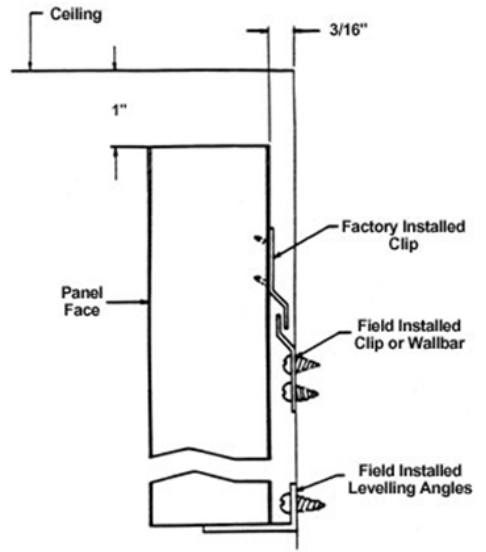
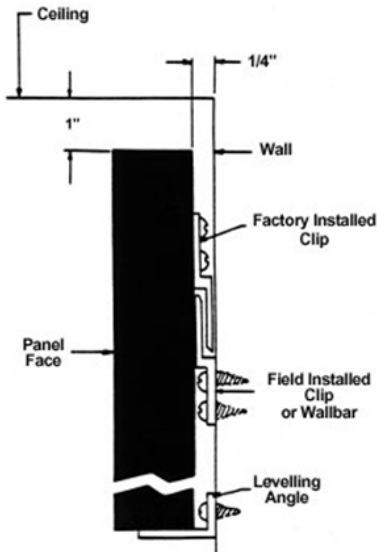
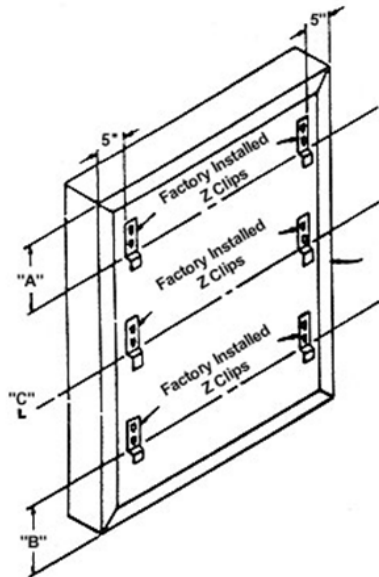
*Impaling clips are not to be used on ceilings.

Caution: Adhesive skins over rather quickly, in perhaps two minutes or less and loses a great deal of its penetrating ability. Therefore it is important that the adhesive be applied quickly to the panels and then quickly applied to the mounting surface, one panel at a time.

Z-Clips Option:

The clip positions are standard. The clips vary with panel size. There are 8' - 12' lengths of wallbar, available for panels installed in series. Clip locations can be customized to fit customer's individual requirements, leveling the angles is recommended.

Panel Height	"A"	"B"	Field Clips On Wall	
60" & Over	10"	12"	11-1/4"	10-3/4"
48" to 59"	6"	8"	7-1/4"	6-3/4"
24" to 47"	4"	6"	5-1/4"	4-3/4"
0 to 23"	2"	4"	3-1/4"	2-3/4"



Z- Clips Embedded In Fiberglass Core

Rotofast Option:

1. To install fiber panels (fabric covered with sprayed on finishes) simply screw Rotofast Standard Anchors to substrate.
2. Pre-MARK anchor locations using template provided.

3. Push metal insert firmly into the Rotofast Anchor body.
4. Position panel at pre-marked location.
5. Push the hex driver through the panel face.

6. Fully engage the metal hex insert in the center of the Rotofast.
7. Turn the Rotofast Standard Anchor clockwise approximately two revolutions.
8. The anchor will cut easily into the panel core, firmly attaching it to the substrate.
9. Lastly pull the driver out, rub the fabric to hide the small hole.

